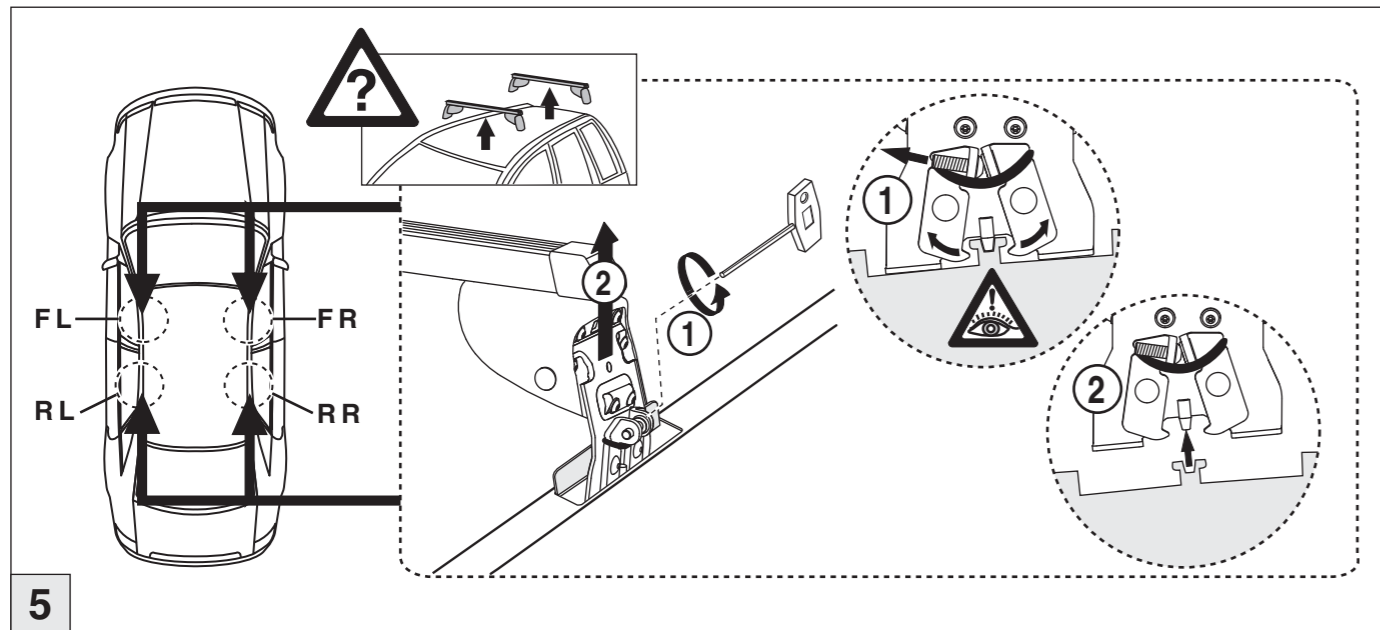


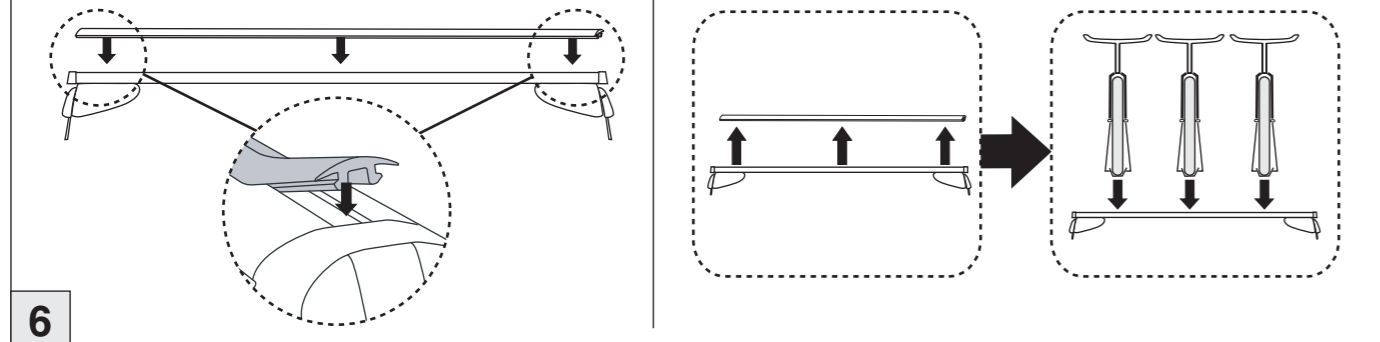
# Atera® SIGNO

Peugeot  
5008 11/2009–

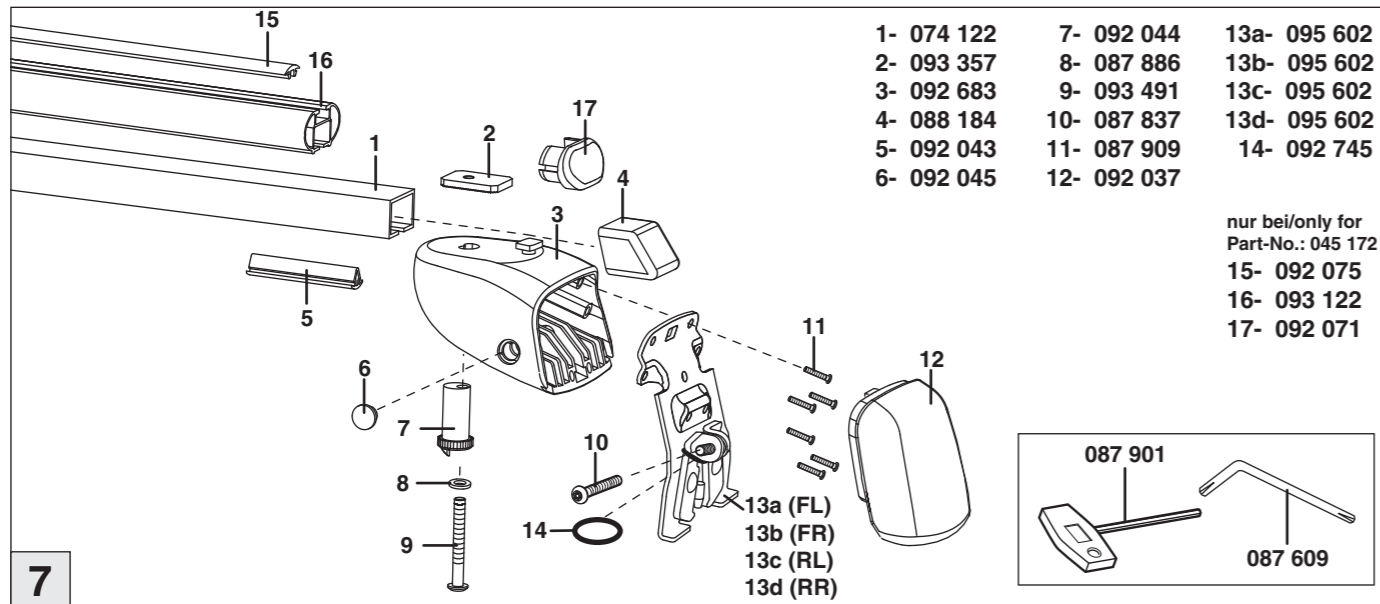


5

nur bei / only for Part-No.: 045 172



6



7

**Atera®**  
MADE IN GERMANY

Atera GmbH  
Im Herrach 1  
D-88299 Leutkirch  
Telefon 0 75 61 - 9 83 44-0  
Telefax 0 75 61 - 9 83 44-76  
E-Mail: info@atera.de

# Atera® SIGNO

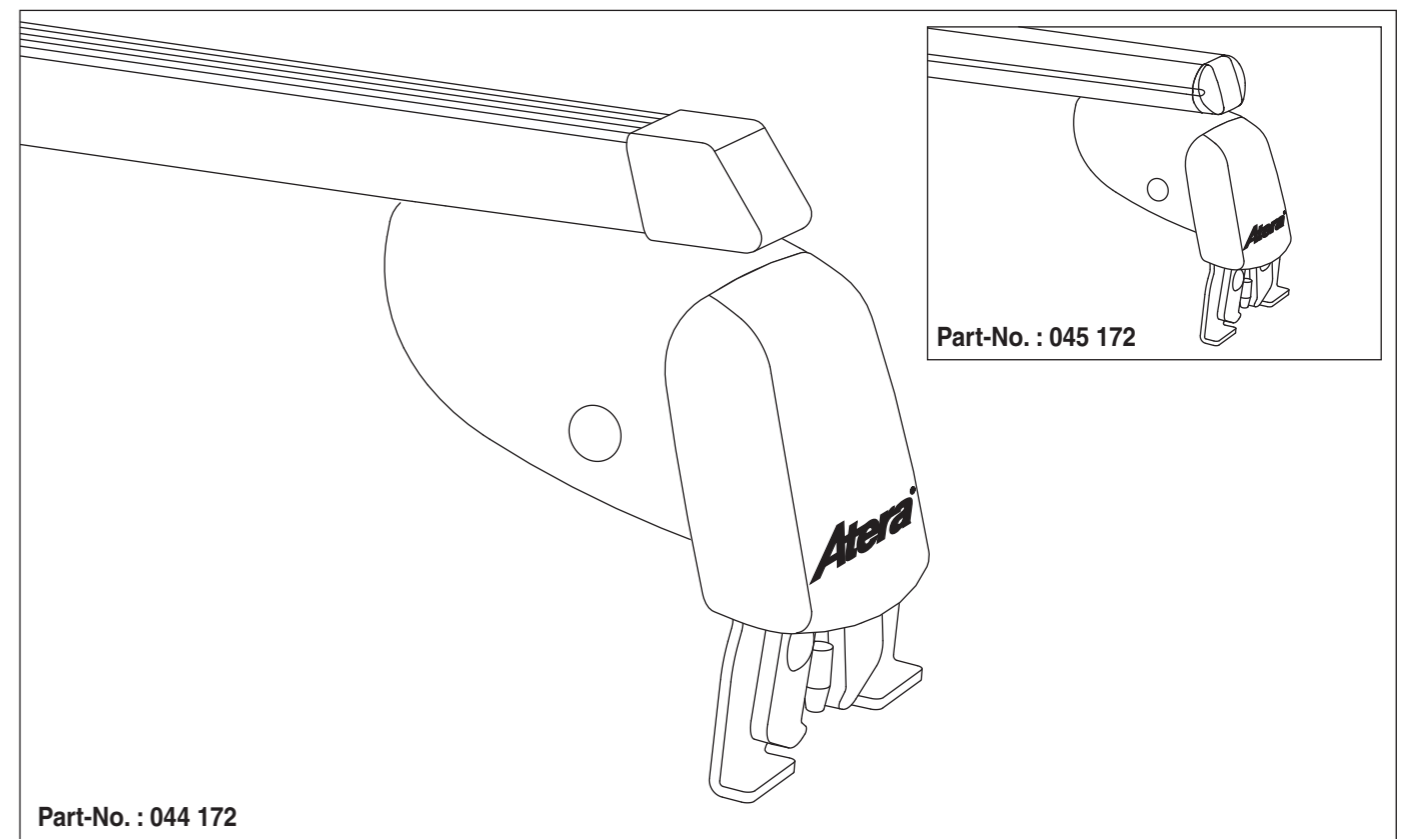
Peugeot

5008 11/2009–

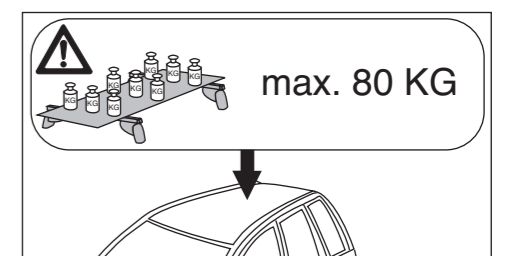
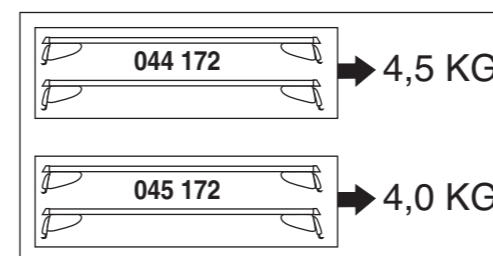
(ohne Aluminium-Dachleiste / without aluminium roof ledge)

Part-No. : 044 172

Part-No. : 045 172

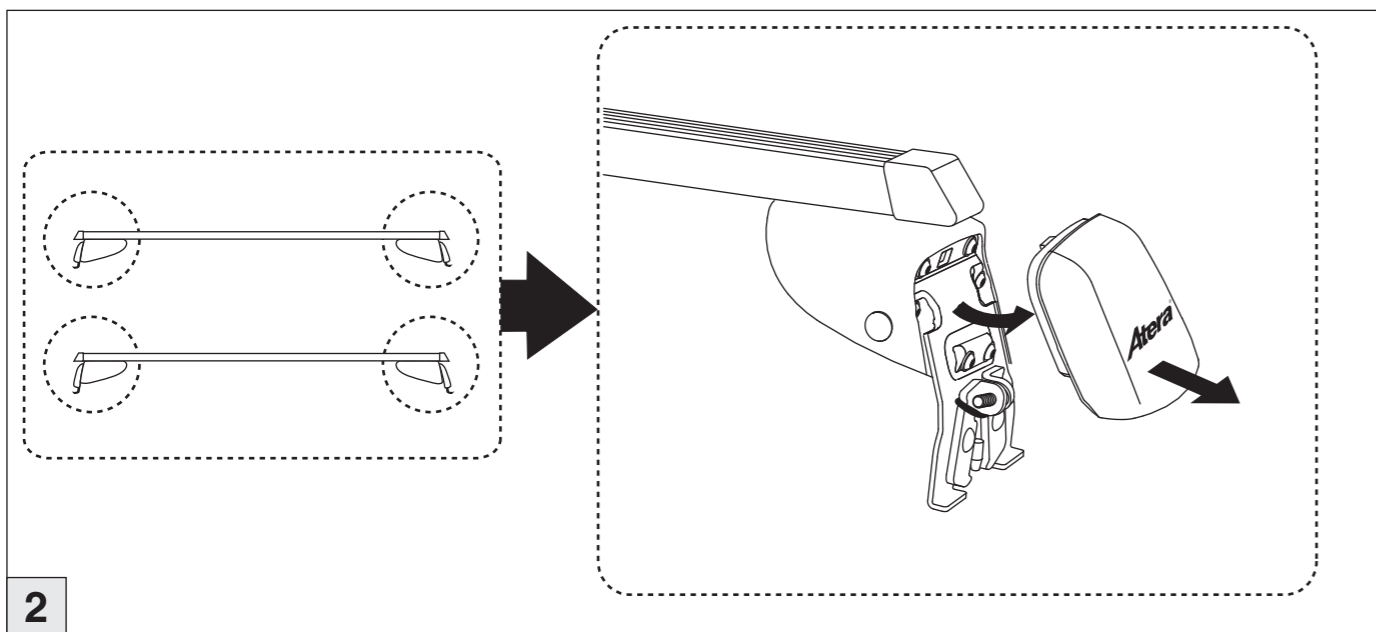
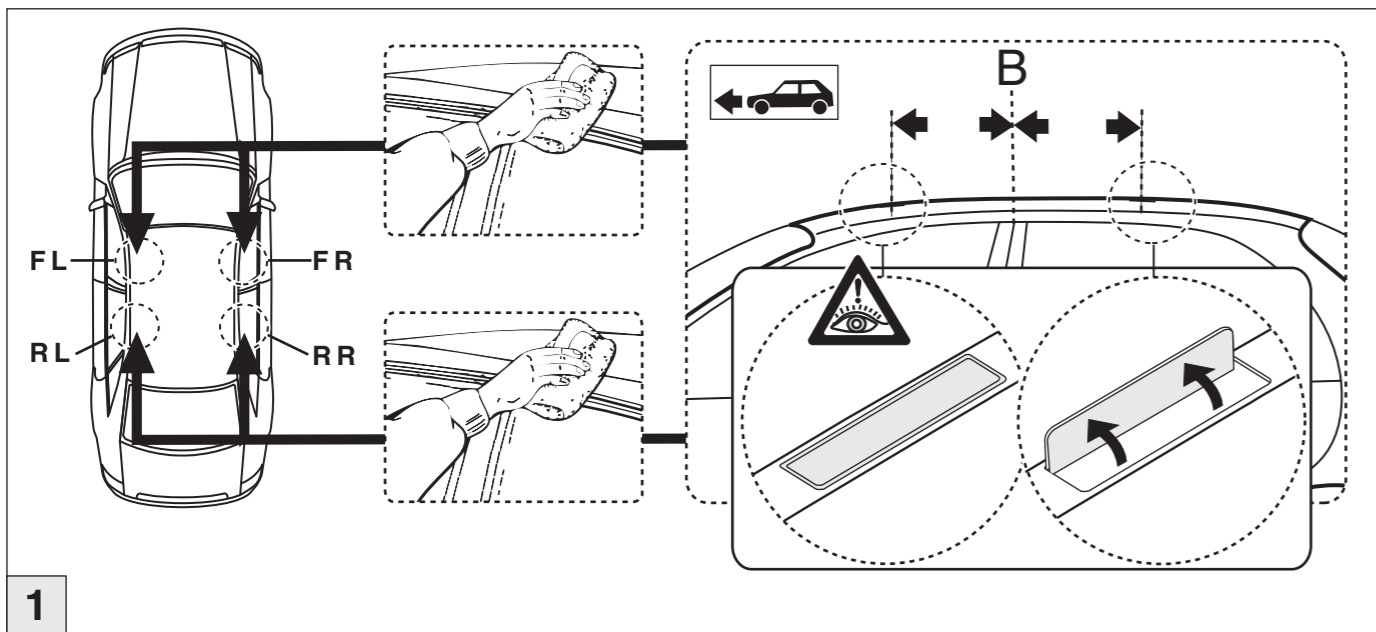
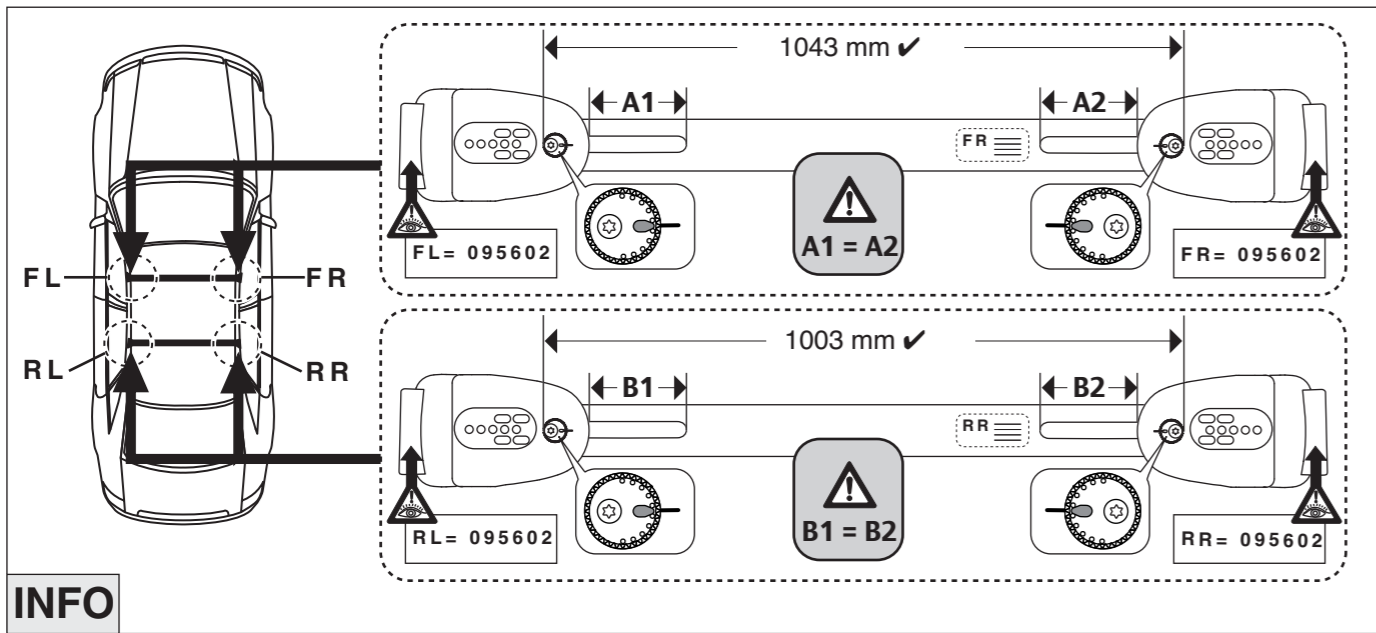


Part-No. : 044 172



# Atera® SIGNO

Peugeot  
5008 11/2009-



# Atera® SIGNO

Peugeot  
5008 11/2009-

